

# 030-1450 Two Point Paddle Handle



This flush mounted paddle is a redesign of our 030-0450 paddle handle for compartment doors and entrance doors on recreational and specialty vehicles. Containing the same proven mechanical details as previous with a modernized look, it can be used in FMVSS 206 (ECE R11) applications, is power lockable and features two point remote pivot plate and lock cam actuation.

#### **FEATURES/BENEFITS:**

- Offers updated styling
- Paddle is rigid when locked
- Inside lock detail provides for multiple connection points for use of inside lock and/or power lock actuation
- Molded rubber gasket for flange of housing provides resistance to water and dust infiltration

#### **Global Locations:**

**TriMark Corporation**  
500 Bailey Avenue  
P.O. Box 350  
New Hampton, Iowa 50659  
United States  
Tel: 641-394-3188  
Fax: 641-394-2392  
1-800-447-0343  
www.trimarkcorp.com

**TriMark Europe**  
Cedar Court  
Walker road  
Bardon Hill  
Coalville LE67 1TU  
United Kingdom  
Tel: +44(0)1530 512460  
Fax: +44(0)1530 512461  
www.trimarkeu.com

**TriMark (Xuzhou)**  
Building A5 Jingwu Road  
Xuzhou Economic  
Development Zone  
Xuzhou, Jiangsu  
221004 PR China  
Tel: +86 516 8773 0018  
Fax: +86 516 8773 0058  
www.trimarkcn.com



TriMark. Interactive. Product. Selector



### AVAILABLE:

- Lock can be keyed to match other TriMark door products with KeyOne Plus for a single-key system, keyed alike or provided non-locking
- Several two point pivot plate options are available to suit a wide variety of applications



### INSTALLATION:

- Handle is easy to install with supplied single 1/4-20 UNC nut and mounting bracket (Mounting torque not to exceed 30 in-lbs (3.39 N-m))
- Either handed version can be installed in a wide range of locations in either horizontal or vertical orientations (left hand shown)
- Retrofits with most 030-0450 flush paddle handles

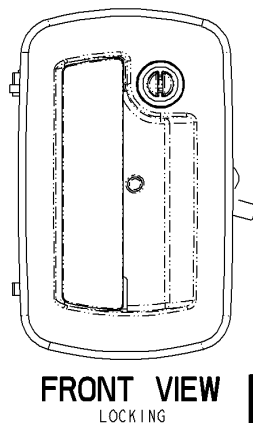
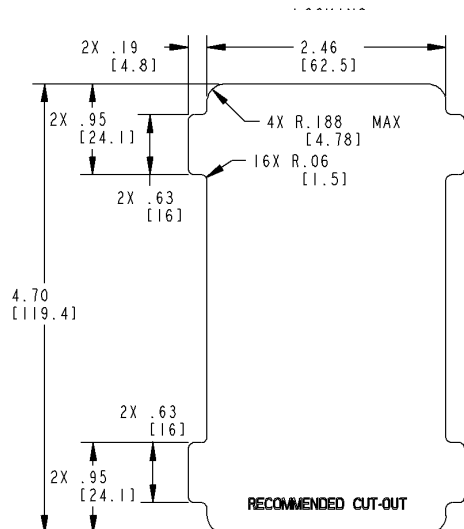
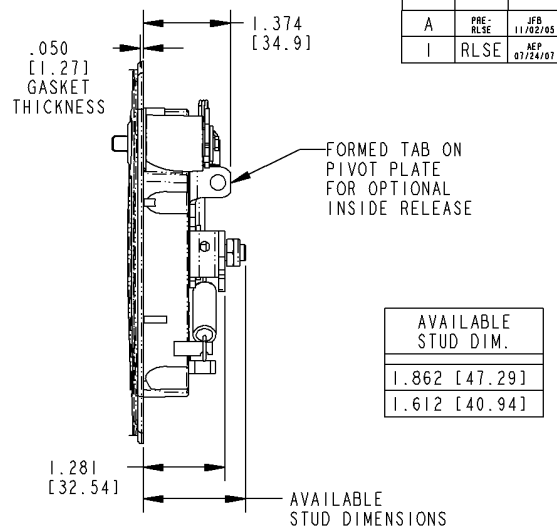
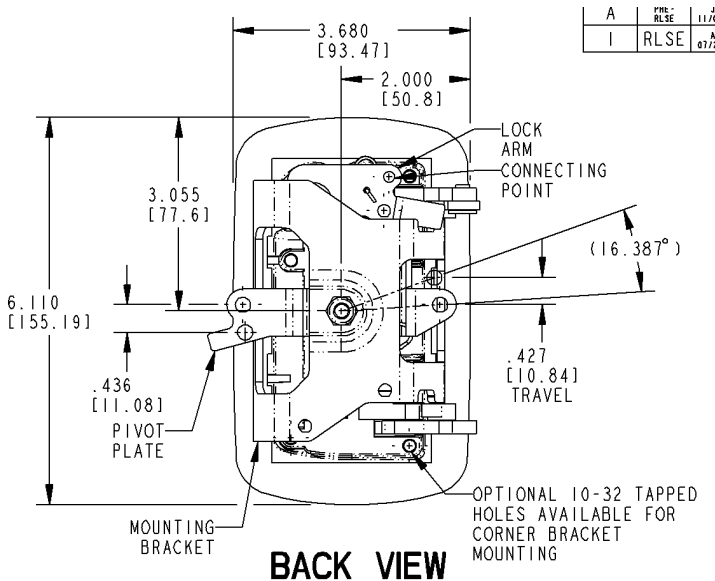
### MATERIAL:

- Sturdy zinc die cast alloy housing and paddle
- Steel components: zinc plated, mild steel

### FINISH:

- Standard black powder coated, buffed copper-nickel-nickel-chrome plated or combination black powder coated housing and buffed chrome paddle

Individual part dimensions are for reference only. Refer to individual part drawings for complete dimensions, specifications, and installation procedures. Engineering assistance and application drawings are available.



MOUNTING BRACKET NOT SHOWN

For more information visit [www.trimarkcorp.com](http://www.trimarkcorp.com)

**CAUTION:** Applications of this product may fall within the requirements of FMVSS 206 (ECE R11) and SAE J839 safety standards. These safety related requirements are dependent on door application, e.g. front and rear hinged doors, sliding doors, or hinged upward swinging doors. The entire door hardware system must be included in the design/analysis process latch, handle, lock mechanism, cables/rods/linkages, fasteners, hinges, etc. This ensures compatibility of all components within the hardware system. If FMVSS 206 (ECE R11) is a requirement, then all of the components within the door system must comply with strength, inertia and locking requirements as specified within the Standard. Note that this product complies with FMVSS 206 (ECE R11) when tested in accordance with SAE J839 and that this product meets FMVSS 206 (ECE R11) locking requirements and may be used in FMVSS 206 (ECE R11) applications pending TriMark application approval.